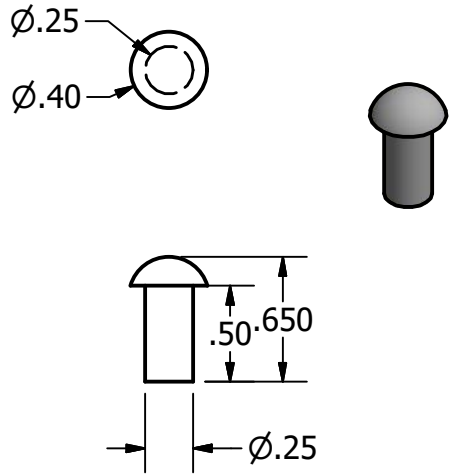
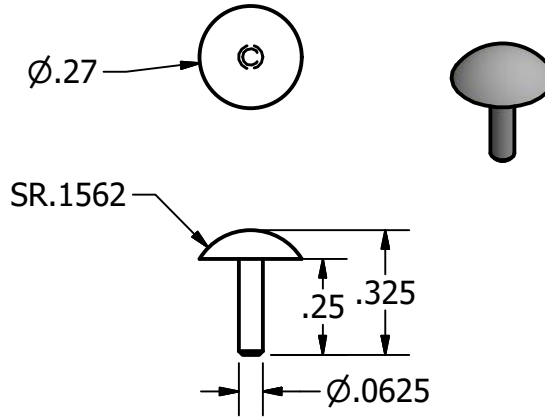


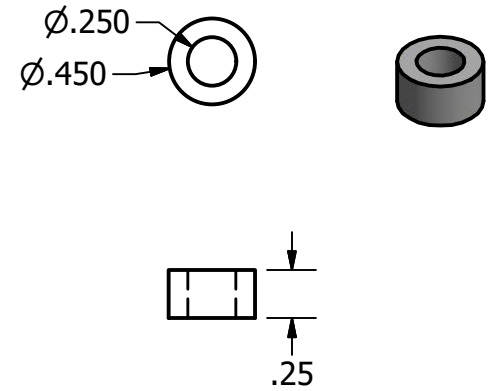
Part #4 Hitch Peg



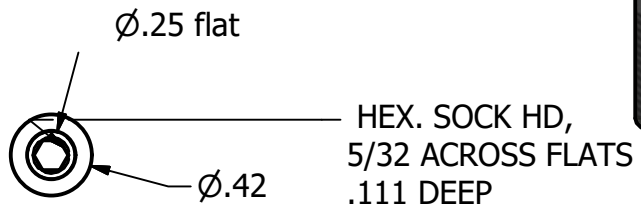
Part #8 Linkage Peg



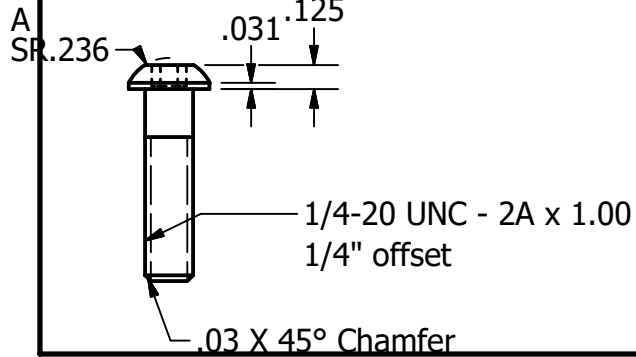
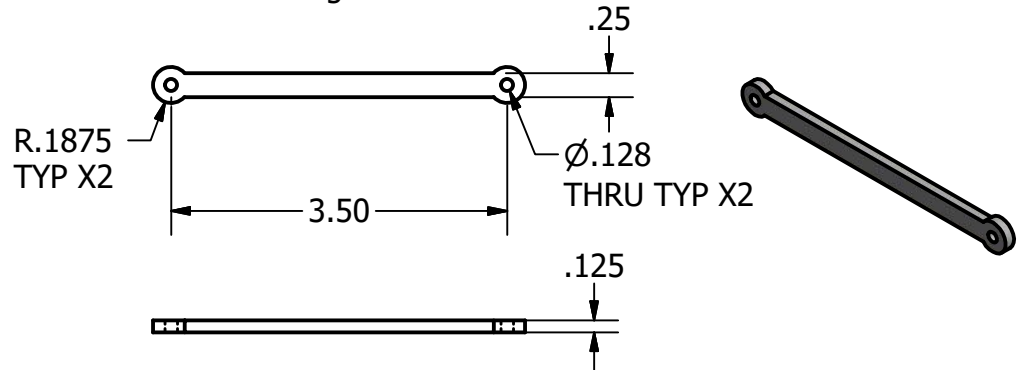
Part #3 Hitch Magnet



Part #6 Axle Peg



Part #7 Linkage Arm



DRAWN	Hope Chambers	5/4/2016
CHECKED		
QA		
MFG		
APPROVED		

Eisenhower		
TITLE		
Train Exploded View		
SIZE	DWG NO	REV
A	Part Sheets HMC	
SCALE	SHEET 4 OF 4	