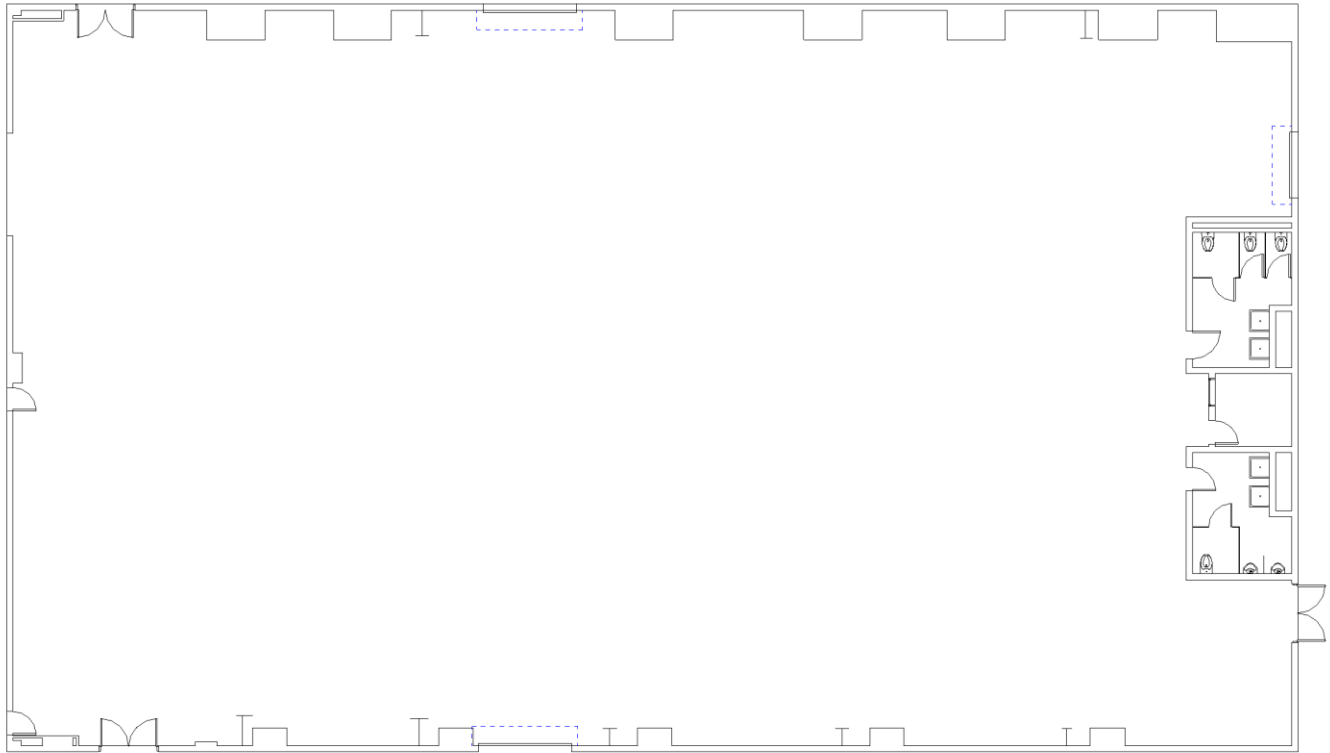


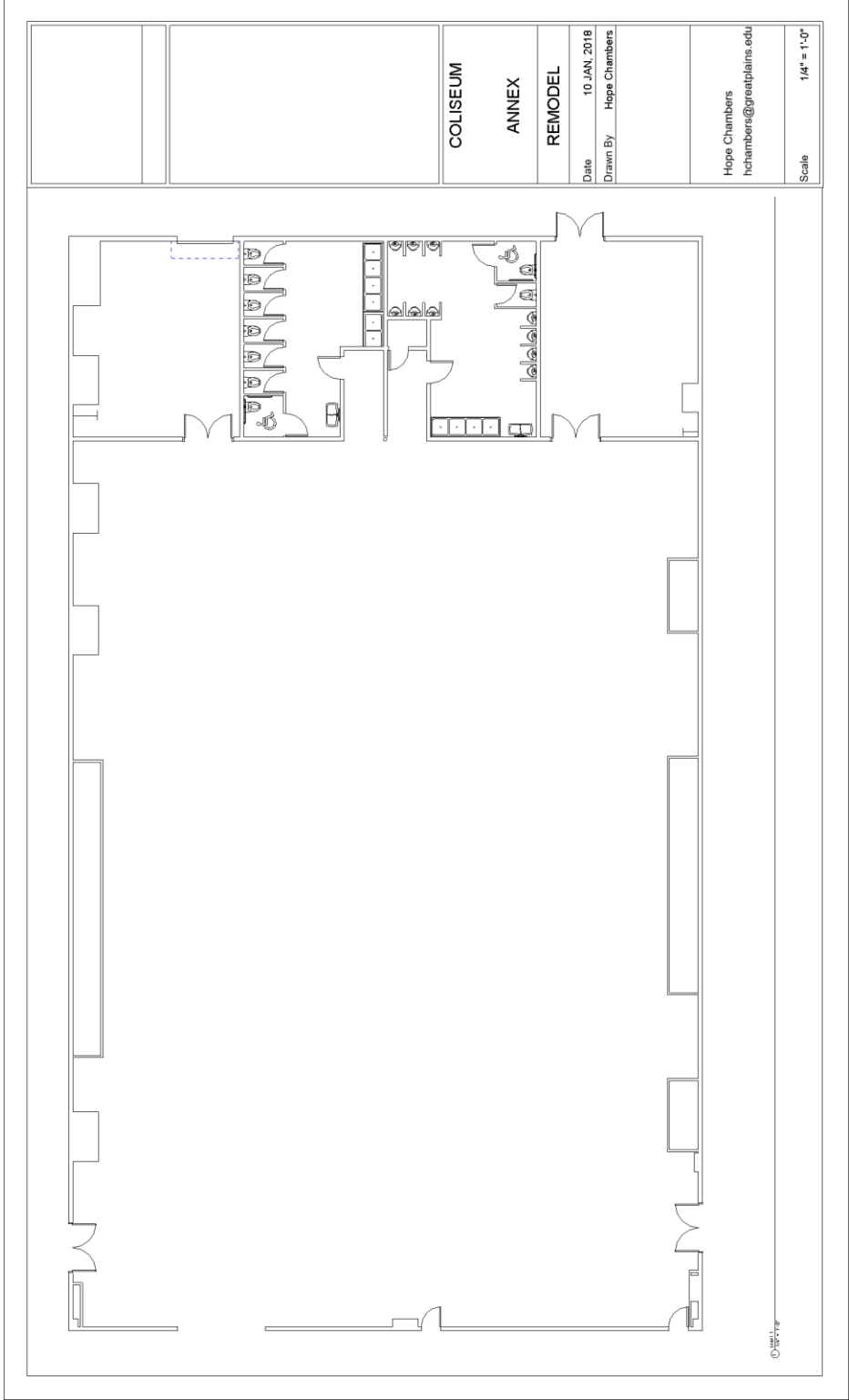
ANNEX BUILDING REMODEL PROPOSAL

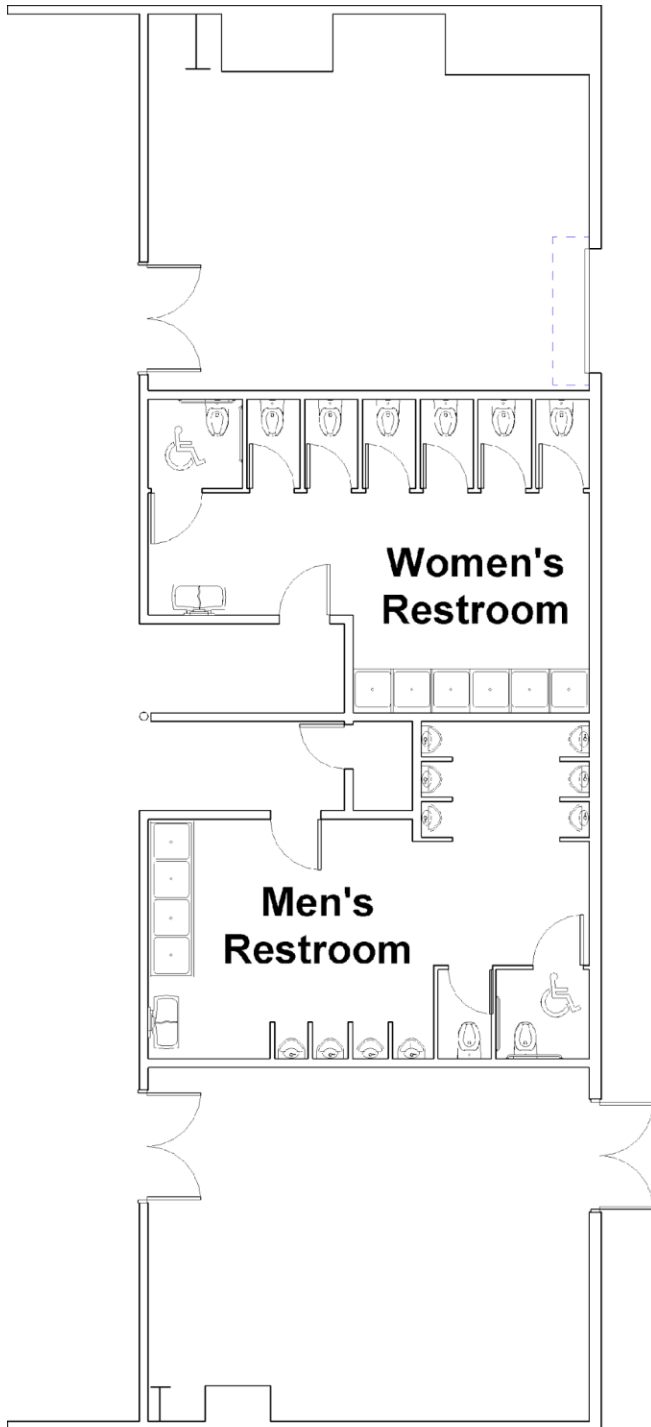
Project Plan: The plan is a forty by twenty-five-foot project intended to expand the east side restroom facilities. Each restroom will accommodate at least six people. The restrooms are designed to be spacious as well as comfortable and privacy oriented. The design also accommodates future needs of maintenance with extra wide walk spaces. In order to be aesthetically cohesive, sheetrock will be used to cover all the brick walls and columns.

Annex Original Plans

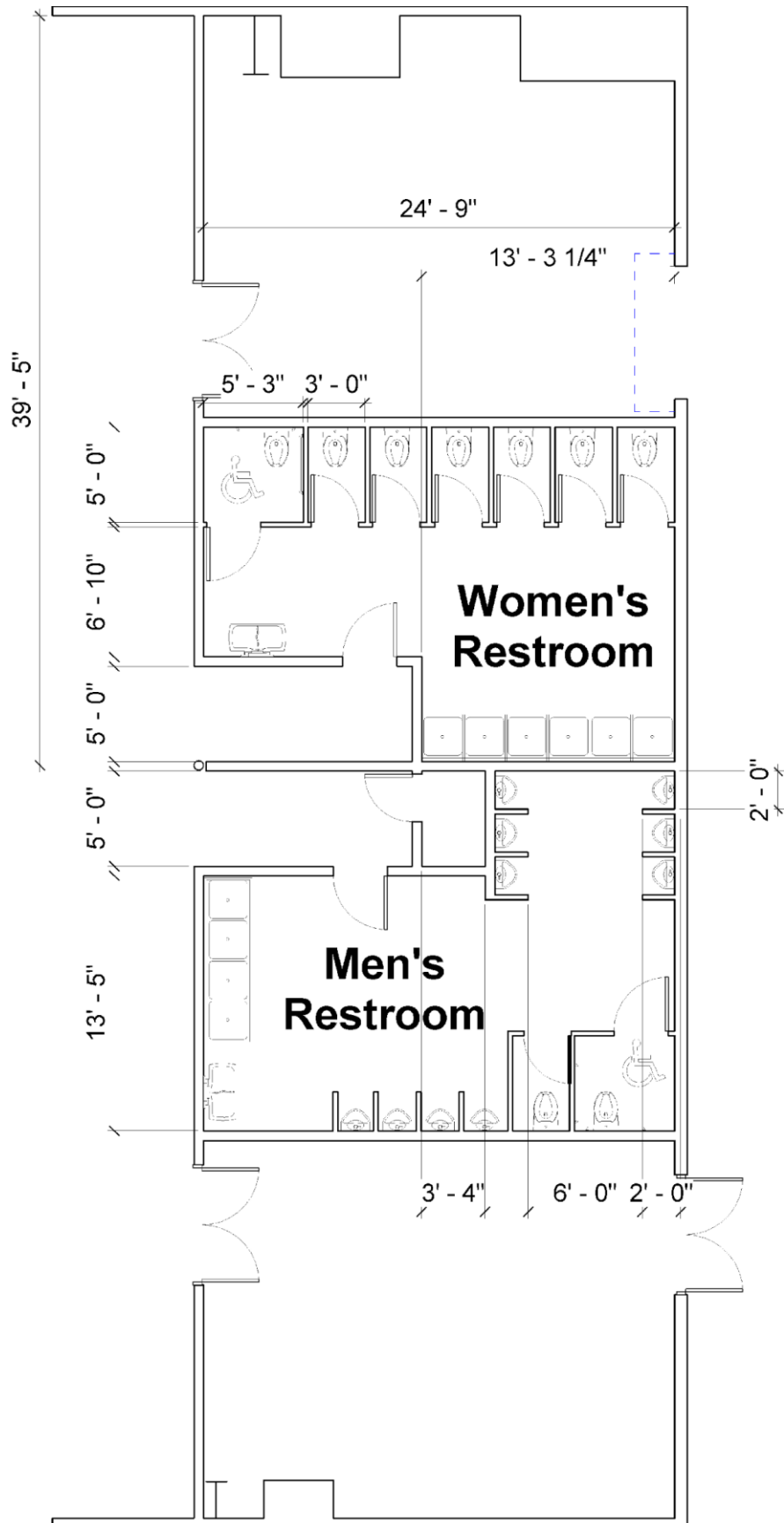


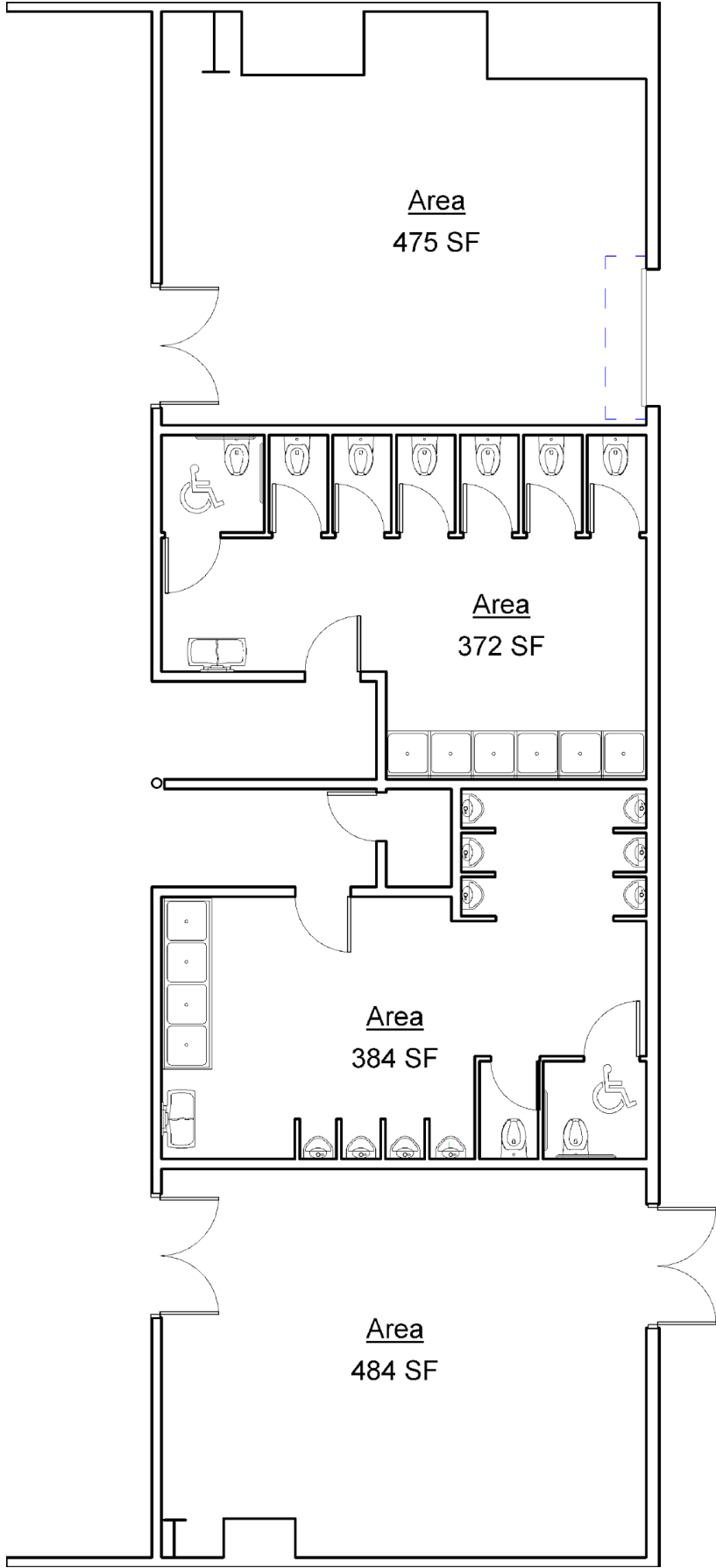
Proposed Remodel





	SINK
	TOILET
	URINAL
	BABY CHANGING STATION





The women's restroom has six sinks and seven stalls and the men's restroom has ten urinals, four sinks, and two stalls.

Each restroom has a handicap accessible stall meeting the ADA requirements with a 32" door clearance, and a 60" x 60" stall. The urinals have a 2' between each with 2' long privacy wall and each stall is 3' long and 5' wide for easy maneuverability. In addition, each restroom also has easy access to a baby changing station.

For easy access to janitorial supplies, a closet has been added in the men's hall.

ACCESSIBLE TOILET COMPARTMENTS ARE REQUIRED IN ALL PUBLIC RESTROOMS

There are two basic toilet compartment designs that are named and shown in the standards: the Wheelchair Accessible Toilet Compartment (Fig. 8) and the Ambulatory Accessible Toilet Compartment (Fig. 10). A third variant is described in this Planning Guide, labeled Large Wheelchair Accessible Toilet Compartment (Fig. 9). The wheelchair accessible compartments should accommodate people who use wheelchairs and who transfer onto a toilet using a variety of positions and procedures. Three common transfer positions are diagonal, side and perpendicular (Fig. 7 a, b, c).

WHEELCHAIR ACCESSIBLE TOILET COMPARTMENT (Fig. 8) the depth must be 56 inches (1420mm) minimum for wall-hung toilets and 59 inches (1500mm) minimum depth for floor-mounted toilets. The minimum width measured at right angle from the side wall is 60 inches (1525mm). The minimum space required in toilet compartments is provided so that a person using a wheelchair can maneuver into position at the toilet. The toilet must be offset on the back wall with the toilet centerline 16 inches (405mm) minimum to 18 inches (455mm) maximum from the side wall or partition. Grab bars must be mounted on the rear wall and on the closest side wall or partition to the toilet. Install coat hooks and shelves maximum 48 inches (1220mm) – projecting no more than 4 inches (100mm) – to complete the design.

LARGE WHEELCHAIR ACCESSIBLE TOILET COMPARTMENT (Fig. 9) is one of many types of larger wheelchair accessible toilet compartments that are possible. Note that in-swinging doors must not overlap the required toilet clearances.

Fig. 8 Wheelchair Accessible Toilet Compartment.

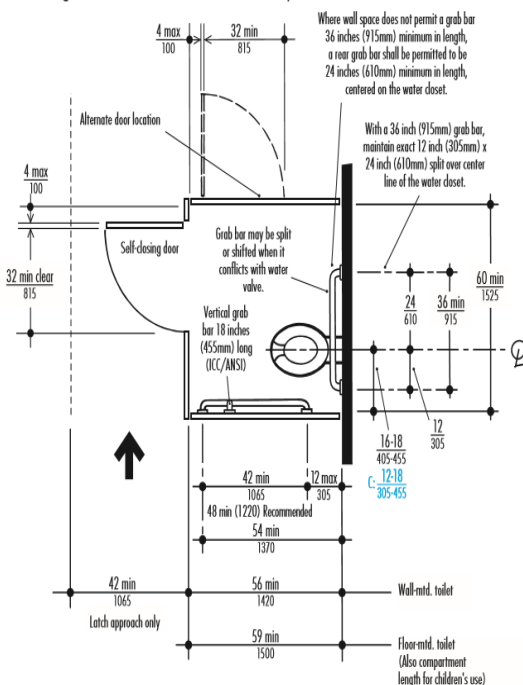


Fig. 9 Large Wheelchair Accessible Toilet Compartment.

